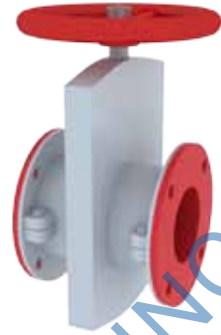


## ▶ Wear-resistant Pinch Valve

### Principle

Pipeline switch is realized by the screw rotation driving clamping device close to the center line. The ingenious design of internal structure makes the clamping device driven by the screw rotation close to the center line fast, more reliable and faster valve on-off, and lighter damage to the rubber pipe. Super wear-resistant rubber produced by Xinhai Company with special "liquid nanometer formula" is used for valve core rubber pipe, which has better elasticity, fatigue resistance and more duration. The wear-resistant degree is 10 times that of ordinary rubber, and the overall dimensions are the same with the valve core of ordinary rubber pipe, so they are interchangeable. Casting is usually used for shell, which can also be made from aluminum alloy.



### Features

Manual operation is generally used for Xinhai brake valve products, according to the requirements of the users, power-driven and gas-driven operation can also be used.

Whole section: Almost no flow resistance.

Replaceable linings: The change of linings is simple, and the valve is good as new.

High sealing: Excellent elastic linings are used for sealing solid particles.

Abrasion: Produced with "the liquid nanometer formula, high-frequency curing at normal temperature" technology, the service life of the super wear-resistant rubber is 10-15 times that of the ordinary rubber, and 3-6 times that of polyurethane.

Fatigue resistance: The fatigue resistance of Xinhai rubber is strong, and the use is more durable, which has a world of difference compared with ordinary rubber.

Part of machinery protection: Only the rubber linings touch the materials which makes part of machinery protection.

Change: The change is very convenient, and the cost is very low.

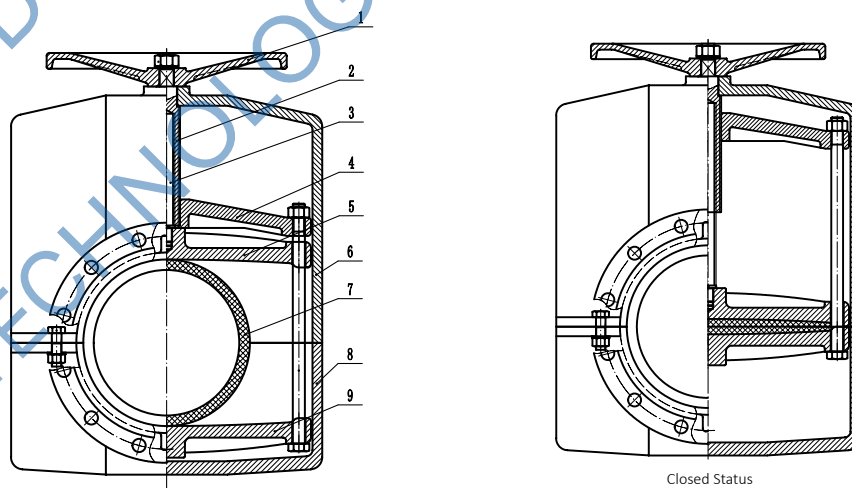
### Application

It is used for mine pipeline transportation of the materials with medium & high abrasion, and high corrosion.

### Technical Parameters

Diameter Range DN 20-350 mm.

Maximum Working Pressure of Linings 10.5 kg/cm<sup>2</sup>.



■ Structure Drawing of Wear-resistant Pinch Valve

- Notes: 1. Hand wheel      2. Valve rod      3. Screw rod      4. Connecting arch frame      5. Upper clamp plate  
6. Upper valve body      7. Rubber sleeve      8. Lower valve body      9. Lower clamp plate      10. Name plate

## Products

### Valves

- ▶ [Knife Gate Valve](#)
- ▶ [Pinch Valve](#)
- ▶ [Rubber Check Valve](#)
- ▶ [Y-Ball Valve](#)

### Crushing

### Screening

### Grinding

### Classifying

### Agitation Equipment

### Flotation

### Gravity Separation Equipment

### Magnetic Equipment

### Thickening

### Dewatering Machine

### Gold Extraction Equipment

### Feeding

### Transmission Equipment

### Iron Removal Equipment

### Automatic Control Equipment

### Wear – Resistant Rubber Products

### Hydrocyclone

### Pumps

## Pinch Valve

### Product Introduction

A wear-resistant pinch valve with excellent corrosion resistant and sealing ability

### Pressure

1.6MPa/cm<sup>2</sup>

### Product Improvement

Wear – resistant rubber liners, resistance to corrosion and wear, prolong the service life of equipment 2 times; Wear - resistant rubber spool, high resilience, reliable opening and closing



CONSULT

CONTACT

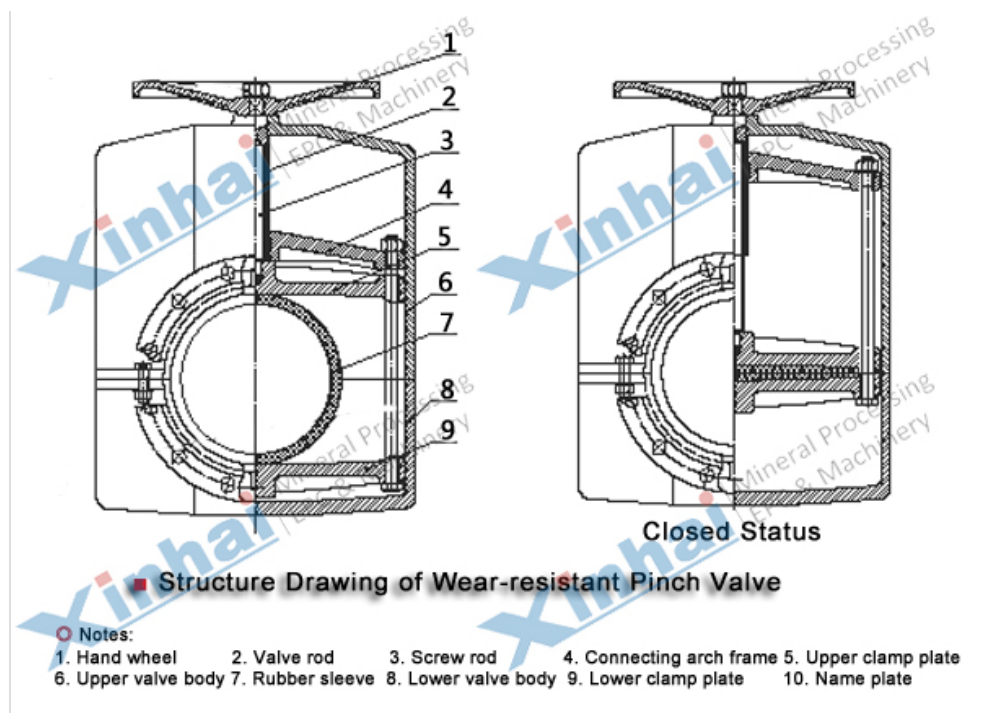
PDF Document

## Advantages

- High resilience rubber liners with rubber boss, no leakage
- Smooth internal surface makes slurry flow stably and fast without flow resistance
- The rubber elasticity exceeds 80%, the slurry will not cause water hammer impact.
- Valves liners have strong anti fatigue ability, longer service life
- Easy to replace, simple structure and convenient operation
- High resilience rubber spool, more flexible and reliable opening and closing

## Product Structure





Wear-resistant Pinch Valve is composed of upper grip, valve body, rubber spool and lower grip

## Application

Automatic control or remote control for all kinds of wear-resistant and non-wear-resistant pipelines; uniform addition of reagents in chemical industry or mine

## Technical Parameters

Specification	D	B	C	A	E	F	G	Standard Flange			Weight (kg)	
								Flange Diameter	Bolts PCD	Bolts Diameter	Al	Iron casting
20	20	144	150	15	119	80	100	105	75	4-Φ14	1.6	2.8
25	25	159	165	15	119	90	125	115	85	4-Φ14	2.3	3.2
40	40	199	205	17	119	118	162	140	100	4-Φ18	3.5	5.5
50	50	229	235	17	220	156	185	150	110	4-Φ18	6.5	12.5
65	65	299	305	17	220	190	200	165	125	4-Φ18	8.8	15
80	80	309	315	21	220	202	225	185	145	4-Φ18	10.5	22
100	100	354	360	25	220	247	269.5	200	160	8-Φ18	18.2	41
125	125	419	425	28	280	310	350	220	180	8-Φ18	29	66
150	150	479	485	29	280	343	373	285	240	8-Φ18	42	99
200	200	594	600	30	280	457	486.5	340	295	8-Φ22	87	230

## Guestbook

Please leave your message here! Our technical sales will contact with you as soon as possible!

Products: Mineral processing test Mineral processing production line Mineral tailings process  
Mine consult & investment Mineral processing equipment

\* Materials: Gold Silver Copper Iron Lead Zinc Fluorite Feldspar Chrome  
Manganese Nickel Tin Wolfram Antimony Vanadium Barite Calcite  
Feldspar Graphite Zircon Others

Capacity :

\* Name :

\* Email :

Location :

\* Tel :

Message :

## Related Products

[Y-Ball Valve](#) | [Rubber Check Valve](#) | [Pinch Valve](#) |